

# SA2140AM

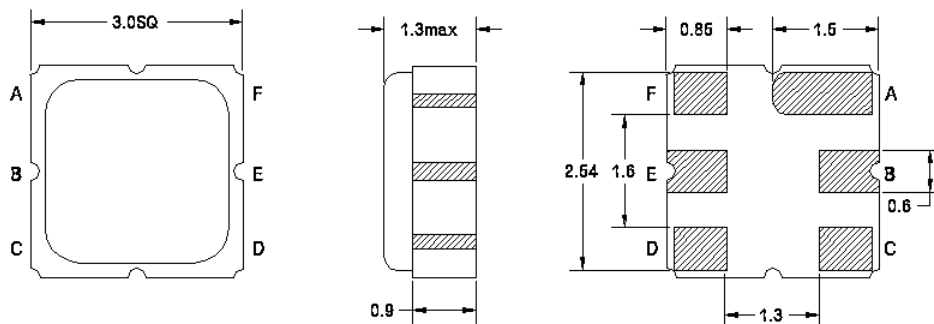
WCDMA, RF-Rx SAW Filter

## PRODUCT INFORMATION (Revision 01/2002)

Parameters Description	Unit	Minimum	Typical	Maximum
Center Frequency (Fo)	MHz	-	2140	-
Insertion Loss within 2110 ~ 2170 MHz	dB	-	2.2	3.5
Source Impedance (single ended) <sup>(1)</sup>	$\Omega$	-	50	-
Load Impedance (single ended) <sup>(1)</sup>	$\Omega$	-	50	-
Operating Temperature Range	$^{\circ}\text{C}$	-30	-	+85
Amplitude Ripple within 2110 ~ 2170 MHz	dB <sub>p-p</sub>	-	0.9	1.5
Attenuation:				
D.C. ~ 500 MHz	dB	25	35	-
500 ~ 2025 MHz	dB	20	30	-
2025 ~ 2050 MHz	dB	27	37	-
2230 ~ 2260 MHz	dB	41	51	-
2490 ~ 2550 MHz	dB	31	41	-
VSWR within 2110 ~ 2170 MHz	-	-	1.8	2.5
Maximum DC Voltage	V	-	-	7.5
Maximum Input Power	dBm	-	-	15
Package type & size	M			
Length x Width	mm <sup>2</sup>	-	3.0 x 3.0	-
Height	mm	-	-	1.3

**Notes :** (1) No Matching Network (Ref. Testing Environment Circuit as shown below).

### PACKAGE DRAWING



PIN Descriptions: IN - E, OUT - B, GROUND - A,C,D,F

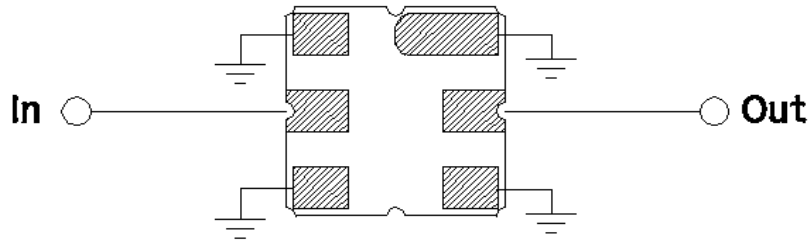
## SAWNICS, Inc

344 Mangwol-Ri Jungnam-Myon Hwasung Kyunggi 445-964 / Korea.  
 Tel: +82 31 354 9801 / Fax: +82 31 354 9805 / [www.sawnics.com](http://www.sawnics.com) / [sales@sawnics.com](mailto:sales@sawnics.com)

## SA2140AM

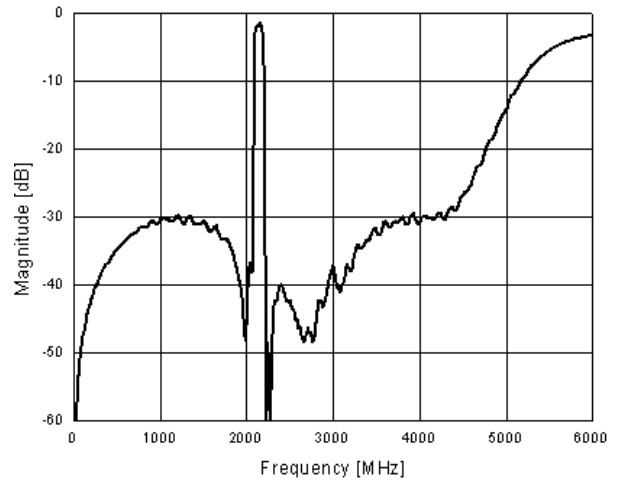
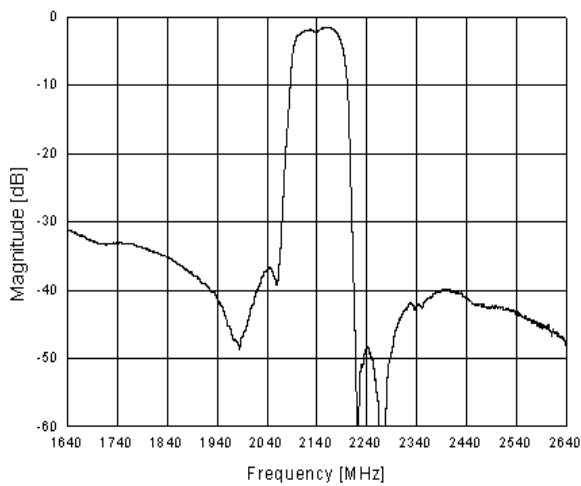
WCDMA, RF-Rx SAW Filter

### TESTING ENVIRONMENT



Source & Load Impedance: 50  $\Omega$

### FREQUENCY RESPONSE



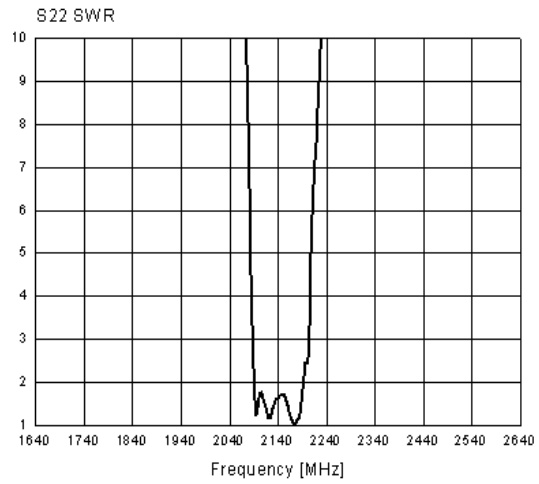
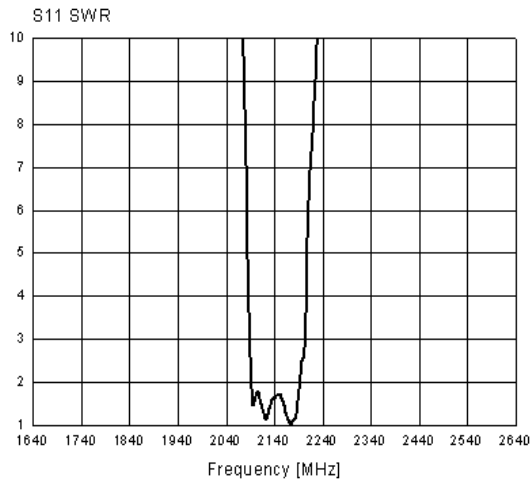
**SAWNICS, Inc**

344 Mangwol-Ri Jungnam-Myon Hwasung Kyunggi 445-964 / Korea.  
 Tel: +82 31 354 9801 / Fax: +82 31 354 9805 / [www.sawnics.com](http://www.sawnics.com) / [sales@sawnics.com](mailto:sales@sawnics.com)

**SA2140AM**

WCDMA, RF-Rx SAW Filter

VSWR



SMITH CHART

